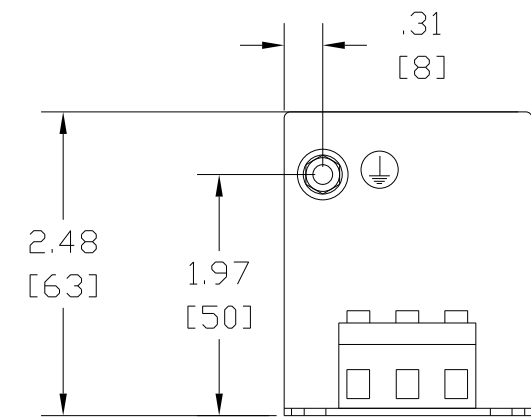
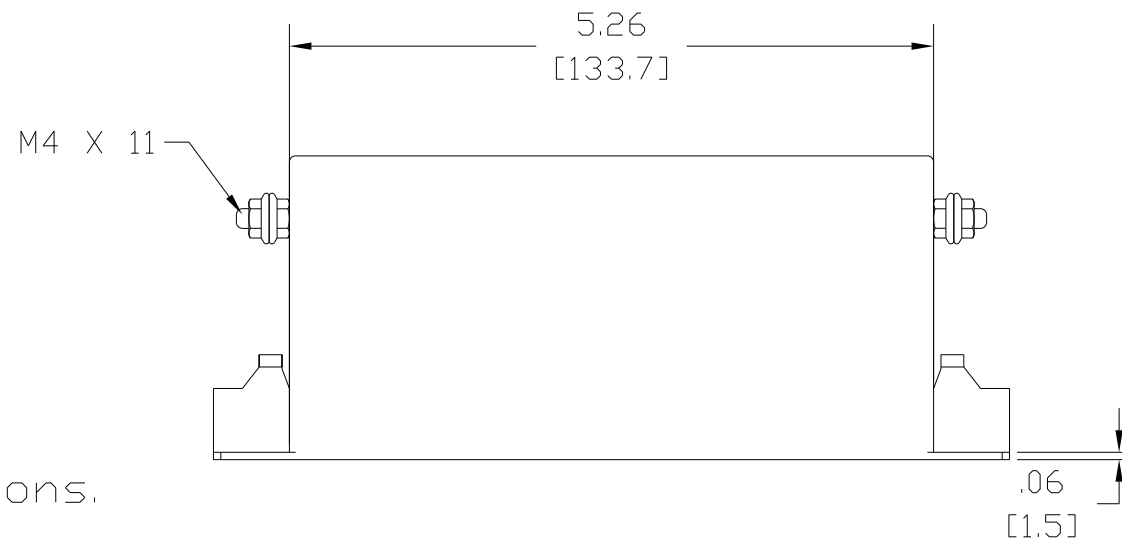
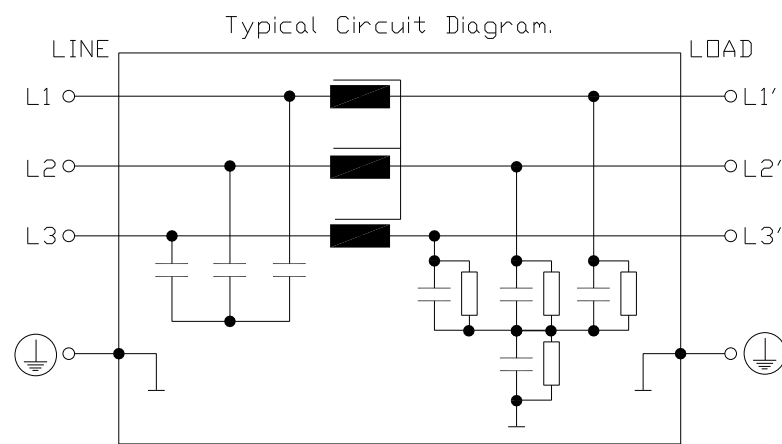


TERMINAL BLOCKS 4mm<sup>2</sup>  
TIGHTENING TORQUE 0.5...0.6Nm



Technical data and measuring conditions.

Rated Voltage $V_R$	520/300 V AC, 50/60Hz.
Rated Current $I_R$	Referred to 40 °C ambient temperature
Test Voltage $V_{test}$	2236 V DC, 2 s (line/line) 2720 V DC, 2 s (line/case)
Overload Capability (thermal)	1.5 · $I_R$ for 3 min per hour or 2.5 · $I_R$ for 30 s per hour
Leakage Current $I_{leak}$	At 520 V AC, 50 Hz.
Climatic Category (IEC 60068-1)	25/100/21 (-25 °C/+100 °C/21 days damp heat test)
Approvals	EN 133200, UL 1283, CSA C22.2 No. 8

$V_R$ AC V	$I_R$ A	Terminal cross section mm <sup>2</sup>	$I_{leak}$ mA	$R_{typ.}$ m ohm	Approx. Weight kg. / lbs.
520/300	8	4	13	16	.58 / 1.3

				TOLERANCES (EXCEPT AS NOTED)	7878 N. 86th STREET MILWAUKEE, WI 53224		
				DECIMAL			
				.XX ± .02	KRF FILTER KRF0008ATB, 200-480V, 8A		
				.XXX ± .01			
				FRACTIONAL ± 1/32			
				ANGULAR ± 1/2°	DRN. BY DSW	DATE 1/04/2010	DWG. NO. KRF0008ATB
NO	REVISION	DATE	BY	SCALE TO FIT	APPRVD.	SHT.1 OF1	